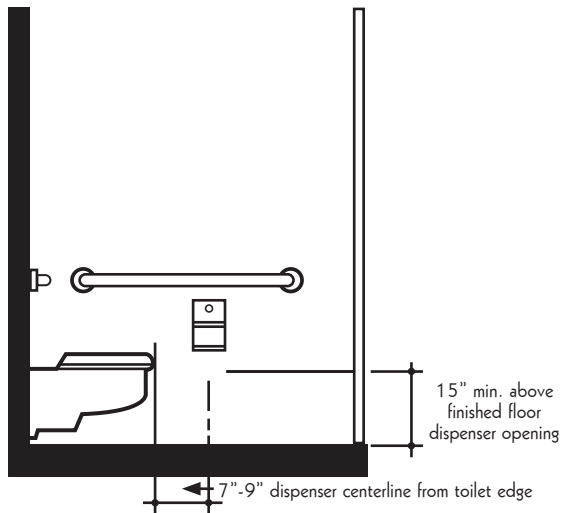


Opening Location for Roll Toilet Tissue Dispenser



Opening Location for Stall Accessories

